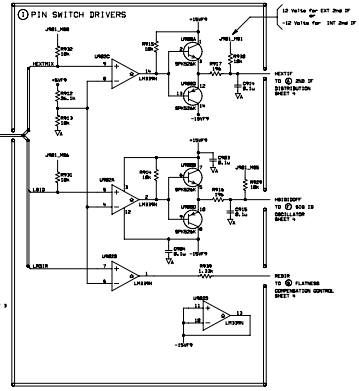
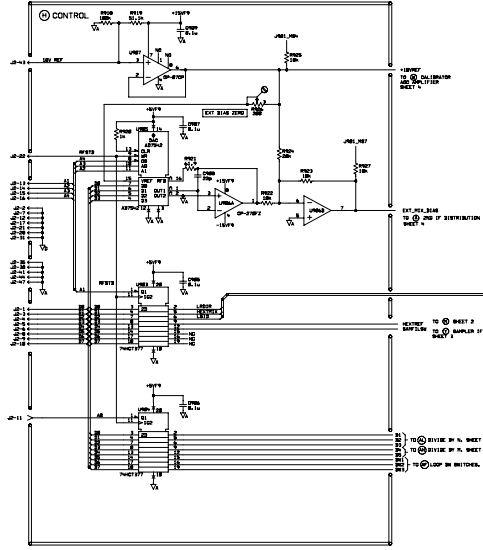
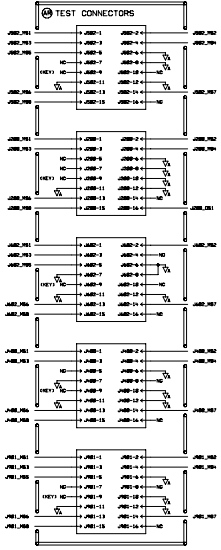
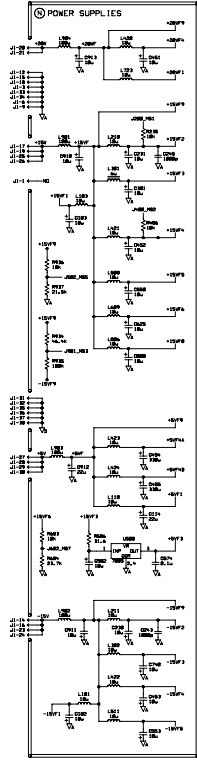


S328 HA 3528		D-08562-60178-1	
REV	REVISIONS	APPROVED	DATE
0	CHANGED PER CD-64299	/SL	K. WARD
1	CHANGED PER CD-68623	SL	J. KRADHT
			85-17-01
			88-16-01



J1

PIN	SIGNAL	TO/FROM	ASSEMBLY
1
2
3
4
5
6
7
8
9
10
11
12
13
14
15
16
17
18

J2

PIN	SIGNAL	TO/FROM	ASSEMBLY
1
2
3
4
5
6
7
8
9
10
11
12
13
14
15
16
17
18

J502

PIN	SIGNAL	TO/FROM	ASSEMBLY
1
2
3
4
5
6
7
8
9
10
11
12
13
14
15
16
17
18

J602

PIN	SIGNAL	TO/FROM	ASSEMBLY
1
2
3
4
5
6
7
8
9
10
11
12
13
14
15
16
17
18

J200

PIN	SIGNAL	TO/FROM	ASSEMBLY
1
2
3
4
5
6
7
8
9
10
11
12
13
14
15
16
17
18

J400

PIN	SIGNAL	TO/FROM	ASSEMBLY
1
2
3
4
5
6
7
8
9
10
11
12
13
14
15
16
17
18

J901

PIN	SIGNAL	TO/FROM	ASSEMBLY
1
2
3
4
5
6
7
8
9
10
11
12
13
14
15
16
17
18

NOTE: HATCHED COMPONENTS ARE NOT LOADED FOR THIS ASSEMBLY.
 KAM 82 - 08562-20178

AGILENT TECHNOLOGIES
 RESTRICTED
 THIS DOCUMENT CONTAINS CONFIDENTIAL, PROPRIETARY INFORMATION THAT IS AGILENT TECHNOLOGIES PROPERTY. DO NOT DISCLOSE TO OR DUPLICATE FOR OTHERS EXCEPT AS AUTHORIZED BY AGILENT TECHNOLOGIES.

DAVE LUIZ
 DRAWN BY
 DATE 10-28-94
 ENGINEER/DESIGNER
 BRUNY CROSS
 DATE 07-18-95
 RELEASE TO PROD.
 DATE 05-16-00
 REV-F
 SUPERSEDES 2ND.

SCHMATIC, PWA
 RADIO FREQUENCY
 BOARD, OCXO
 TITLE

81894178
 RELEASE
 SCALE None
 SHEET 1 of 4
 PART NUMBER
 D-08562-60178-1
 Agilent